

DISCOVER SE: 16 INCH LCD BIKE & CROSS-TRAINER CONSOLE

PARTS MANUAL

16DN-XXXXX-XX

EAN, EPN, EDN, EIN, ENN, ESN, FAN, FPN, FDN, FIN, FXN, FSN



Table of Contents

Console Serial Number Table	1
Common Boards for Consoles	7
Parts List for ATSC Tuner Board	9
Parts List for DVB-T2 Tuner Board	10
Parts List for STB-IPTV Tuner Board	11
Parts List for ISDB-T Tuner Board (Japan Only)	12
Parts List for PRO:IDIOM Tuner Board	13
Option Panel	14
Cables	15
Plastics and Display Components	17
Miscellaneous	19
Kits	20

Console Serial Number Table

ATSC / NTSC TUNER (DOMESTIC)						
Part No.	Alpha Code*	Description	Serial Number Range	Serial Number Range	Serial Number Range	Serial Number Range
16DN-DXXXA-01	EAN	NC 16-INCH LCD BIKE/ CT CONSOLE ATSC	100001 - 199999	700001 - 799999		
16DN-DXRXA-01	EAN	NC 16-INCH LCD BIKE/ CT CONSOLE ATSC, RFID	100001 - 199999	700001 - 799999		
16DN-DWXXA-01	EAN	NC 16-INCH LCD BIKE/ CT CONSOLE ATSC, WIFI	100001 - 199999	700001 - 799999		
16DN-DWRXA-01	EAN	NC 16-INCH LCD BIKE/ CT CONSOLE ATSC, WIFI, RFID	100001 - 199999	700001 - 799999		
16DN-XXXXA-02	EAN	NC 16-IN DSCVR SE BIKE/CT CONSOLE COMBO ATSC	200001 - 299999	300001 - 399999	400001 - 499999	800001 - 899999
16DN-XXRXA-02	EAN	NC 16-IN DSCVR SE BIKE/CT CONSOLE COMBO RFID ATSC	200001 - 299999	300001 - 399999	400001 - 499999	800001 - 899999
16DN-XWXXA-02	EAN	NC 16-IN DSCVR SE BIKE/CT CONSOLE COMBO WIFI ATSC	200001 - 299999	300001 - 399999	400001 - 499999	800001 - 899999
16DN-XWRXA-02	EAN	NC 16-IN DSCVR SE BIKE/CT CONSOLE COMBO WIFI RFID ATSC	200001 - 299999	300001 - 399999	400001 - 499999	800001 - 899999
16DN-XXXXA-03	FAN	NC 16-IN DSCVR SE BIKE/CT CONSOLE COMBO ATSC	100001 - 199999	300001 - 399999		
16DN-XXRXA-03	FAN	NC 16-IN DSCVR SE BIKE/CT CONSOLE COMBO RFID ATSC	100001 - 199999	300001 - 399999		
16DN-XWXXA-03	FAN	NC 16-IN DSCVR SE BIKE/CT CONSOLE COMBO WIFI ATSC	100001 - 199999	300001 - 399999		
16DN-XWRXA-03	FAN	NC 16-IN DSCVR SE BIKE/CT CONSOLE COMBO WIFI RFID ATSC	100001 - 199999	300001 - 399999		

* Refer to first three letters of the product's Serial Number for the Alpha code

Console Serial Number Table

ATSC / NTSC TUNER (BRAZIL)						
Part No.	Alpha Code*	Description	Serial Number Range	Serial Number Range	Serial Number Range	Serial Number Range
16DN-BXXXA-01BR	EAN	NC 16-INCH LCD BIKE/CT CONSOLE BR, ATSC	100001 - 199999	700001 - 799999		
16DN-BXRXA-01BR	EAN	NC 16-INCH LCD BIKE/CT CONSOLE BR, ATSC, RFID	100001 - 199999	700001 - 799999		
16DN-BWXXA-01BR	EAN	NC 16-INCH LCD BIKE/CT CONSOLE BR, ATSC, WIFI	100001 - 199999	700001 - 799999		
16DN-BWRXA-01BR	EAN	NC 16-INCH LCD BIKE/CT CONSOLE BR, ATSC, WIFI, RFID	100001 - 199999	700001 - 799999		

PROIDIOM TUNER (DOMESTIC)						
Part No.	Alpha Code*	Description	Serial Number Range	Serial Number Range	Serial Number Range	Serial Number Range
16DN-XXXXP-02	EPN	NC 16-IN DISCOVER SE CONSOLE PROIDIOM	100001 - 199999		400001 - 499999	
16DN-XXRXP-02	EPN	NC 16-IN DISCOVER SE CONSOLE PROIDIOM RFID	100001 - 199999		400001 - 499999	
16DN-XWXXP-02	EPN	NC 16-IN DISCOVER SE CONSOLE PROIDIOM WIFI	100001 - 199999		400001 - 499999	
16DN-XWRXP-02	EPN	NC 16-IN DISCOVER SE CONSOLE PROIDIOM WIFI RFID	100001 - 199999		400001 - 499999	
16DN-XXXXP-03	FPN	NC 16-IN DISCOVER SE CONSOLE PROIDIOM	100001 - 199999	30001 - 399999		
16DN-XXRXP-03	FPN	NC 16-IN DISCOVER SE CONSOLE PROIDIOM RFID	100001 - 199999	30001 - 399999		
16DN-XWXXP-03	FPN	NC 16-IN DISCOVER SE CONSOLE PROIDIOM WIFI	100001 - 199999	30001 - 399999		
16DN-XWRXP-03	FPN	NC 16-IN DISCOVER SE CONSOLE PROIDIOM WIFI RFID	100001 - 199999	30001 - 399999		

* Refer to first three letters of the product's Serial Number for the Alpha code

Console Serial Number Table

DVB-T / DVB-T2 / PAL TUNER (INTERNATIONAL)						
Part No.	Alpha Code*	Description	Serial Number Range	Serial Number Range	Serial Number Range	Serial Number Range
16DN-IXXXD-01	EDN	NC 16-INCH LCD BIKE/CT CONSOLE DVB-T	100001 - 199999	700001 - 799999		
16DN-IXRXD-01	EDN	NC 16-INCH LCD BIKE/CT CONSOLE DVB-T, RFID	100001 - 199999	700001 - 799999		
16DN-IWXXD-01	EDN	NC 16-INCH LCD BIKE/CT CONSOLE DVB-T, WIFI	100001 - 199999	700001 - 799999		
16DN-IWRXD-01	EDN	NC 16-INCH LCD BIKE/CT CONSOLE DVB-T, WIFI, RFID	100001 - 199999	700001 - 799999		
16DN-IXXXD-02	EDN	NC 16-INCH DISCOVER BIKE/CT CONSOLE DVB-T2	100001 - 199999	700001 - 799999		
16DN-XXXXD-03	EDN	NC 16-IN DSCVR SE BIKE/CT CONSOLE COMBO DVBT2	200001-299999	300001-399999	400001-499999	800001 - 899999
16DN-XXRXD-03	EDN	NC 16-IN DSCVR SE BIKE/CT CONSOLE COMBO RFID DVBT2	200001-299999	300001-399999	400001-499999	800001 - 899999
16DN-XWXXD-03	EDN	NC 16-IN DSCVR SE BIKE/CT CONSOLE COMBO WIFI DVBT2	200001-299999	300001-399999	400001-499999	800001 - 899999
16DN-XWRXD-03	EDN	NC 16-IN DSCVR SE BIKE/CT CONSOLE COMBO WIFI RFID DVBT2	200001-299999	300001-399999	400001-499999	800001 - 899999
16DN-XXXXD-04	FDN	NC 16-IN DSCVR SE BIKE/CT CONSOLE COMBO DVBT2	100001-199999	300001-399999		
16DN-XXRXD-04	FDN	NC 16-IN DSCVR SE BIKE/CT CONSOLE COMBO RFID DVBT2	100001-199999	300001-399999		
16DN-XWXXD-04	FDN	NC 16-IN DSCVR SE BIKE/CT CONSOLE COMBO WIFI DVBT2	100001-199999	300001-399999		
16DN-XWRXD-04	FDN	NC16-IN DSCVR SE BIKE/CT CONSOLE COMBO WIFI RFID DVBT2	100001-199999	300001-399999		

* Refer to first three letters of the product's Serial Number for the Alpha code

Console Serial Number Table

STB - IPTV						
Part No.	Alpha Code*	Description	Serial Number Range	Serial Number Range	Serial Number Range	Serial Number Range
16DN-DXXXI-01	EIN	NC 16-INCH LCD BIKE/CT CONSOLE DOM IPTV	100001 - 199999	700001 - 799999		
16DN-DXRXI-01	EIN	NC 16-INCH LCD BIKE/CT CONSOLE DOM IPTV, RFID	100001 - 199999	700001 - 799999		
16DN-DWXXI-01	EIN	NC 16-INCH LCD BIKE/CT CONSOLE DOM IPTV, WIFI	100001 - 199999	700001 - 799999		
16DN-DWRXI-01	EIN	NC 16-INCH LCD BIKE/CT CONSOLE DOM IPTV, WIFI, RFID	100001 - 199999	700001 - 799999		
16DN-IXXXI-01	EIN	NC 16-INCH LCD BIKE/CT CONSOLE INT IPTV	100001 - 199999	700001 - 799999		
16DN-IXRXI-01	EIN	NC 16-INCH LCD BIKE/CT CONSOLE INT IPTV, RFID	100001 - 199999	700001 - 799999		
16DN-IWXXI-01	EIN	NC 16-INCH LCD BIKE/CT CONSOLE INT IPTV, WIFI	100001 - 199999	700001 - 799999		
16DN-IWRXI-01	EIN	NC 16-INCH LCD BIKE/CT CONSOLE INT IPTV, WIFI, RFID	100001 - 199999	700001 - 799999		
16DN-BXXXI-01BR	EIN	NC 16-INCH LCD BIKE/CT CONSOLE BR IPTV	100001 - 199999	700001 - 799999		
16DN-BXRXI-01BR	EIN	NC 16-INCH LCD BIKE/CT CONSOLE BR IPTV, RFID	100001 - 199999	700001 - 799999		
16DN-BWXXI-01BR	EIN	NC 16-INCH LCD BIKE/CT CONSOLE BR IPTV, WIFI	100001 - 199999	700001 - 799999		
16DN-BWRXI-01BR	EIN	NC 16-INCH LCD BIKE/CT CONSOLE BR IPTV, WIFI, RFID	100001 - 199999	700001 - 799999		
16DN-XXXXI-02	EIN	NC 16IN LCD CONSOLE STB-IPTV	200001 - 299999	300001 - 399999	400001 - 499999	
16DN-XXRXI-02	EIN	NC 16IN LCD CONSOLE STB-IPTV RFID	200001 - 299999	300001 - 399999	400001 - 499999	
16DN-XWXXI-02	EIN	NC 16IN LCD CONSOLE STB-IPTV WIRELESS	200001 - 299999	300001 - 399999	400001 - 499999	
16DN-XWRXI-02	EIN	NC 16IN LCD CONSOLE STB-IPTV WIRELESS RFID	200001 - 299999	300001 - 399999	400001 - 499999	
16DN-XXXXI-03	FIN	NC 16IN LCD CONSOLE STB-IPTV	100001 - 199999	300001 - 399999		
16DN-XXRXI-03	FIN	NC16IN LCD CONSOLE STB-IPTV RFID	100001 - 199999	300001 - 399999		
16DN-XWXXI-03	FIN	NC 16IN LCD CONSOLE STB-IPTV WIRELESS	100001 - 199999	300001 - 399999		
16DN-XWRXI-03	FIN	NC 16IN LCD CONSOLE STB-IPTV WIRELESS RFID	100001 - 199999	300001 - 399999		

* Refer to first three letters of the product's Serial Number for the Alpha code

Console Serial Number Table

OPEN IPTV (MULTICAST)						
Part No.	Alpha Code*	Description	Serial Number Range	Serial Number Range	Serial Number Range	Serial Number Range
16DN-XXXXX-02	ENN	NC 16IN LCD CONSOLE OPEN IPTV			400001 - 499999	
16DN-XXRXX-02	ENN	NC 16IN LCD CONSOLE WITH RFID OPEN IPTV			400001 - 499999	
16DN-XXXXX-03	FXN	NC 16IN LCD CONSOLE OPEN IPTV	100001 - 199999	300001 - 399999		
16DN-XXRXX-03	FXN	NC 16IN LCD CONSOLE WITH RFID OPEN IPTV	100001 - 199999	300001 - 399999		

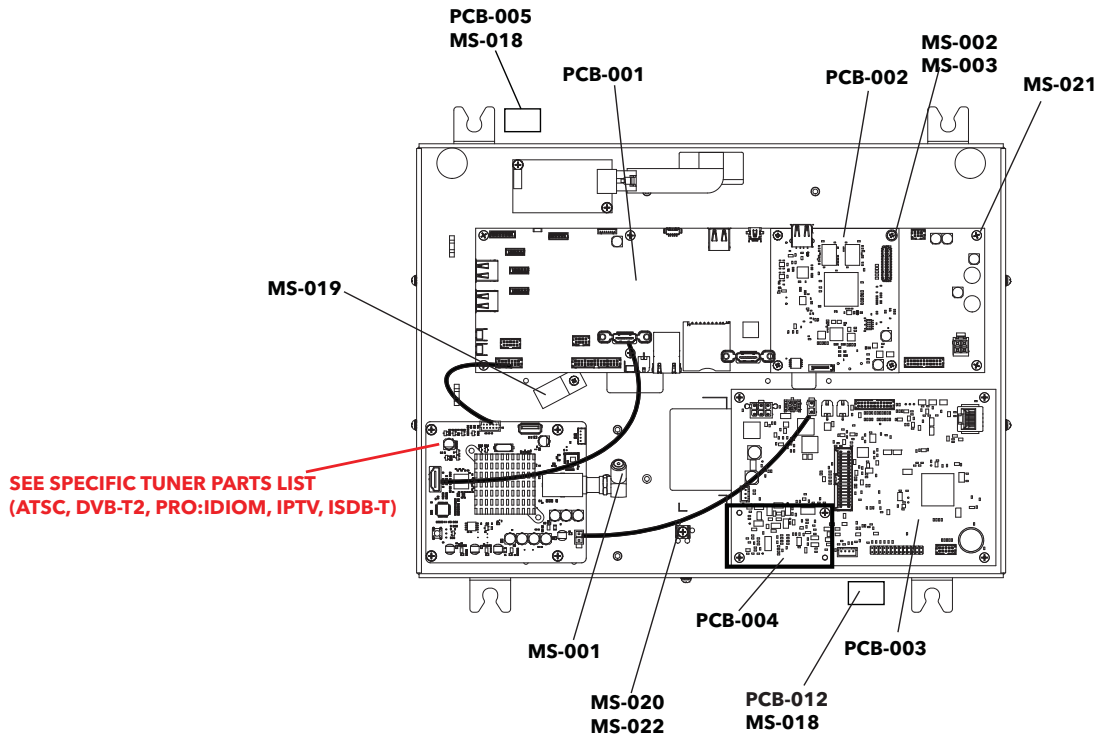
* Refer to first three letters of the product's Serial Number for the Alpha code

Console Serial Number Table

ISDB-T / NTSC TUNER (JAPAN ONLY)						
Part No.	Alpha Code*	Description	Serial Number Range	Serial Number Range	Serial Number Range	Serial Number Range
16DN-DXXXS-01	ESN	NC 16-INCH LCD BIKE/CT CONSOLE ISDB-T	100001 - 199999	700001 - 799999		
16DN-DXRXS-01	ESN	NC 16-INCH LCD BIKE/CT CONSOLE ISDB-T, RFID	100001 - 199999	700001 - 799999		
16DN-DWXXS-01	ESN	NC 16-INCH LCD BIKE/CT CONSOLE ISDB-T, WIFI	100001 - 199999	700001 - 799999		
16DN-DWRXS-01	ESN	NC 16-INCH LCD BIKE/CT CONSOLE ISDB-T, WIFI, RFID	100001 - 199999	700001 - 799999		
16DN-XXXXS-02	ESN	NC 16-INCH DISCOVER SE BIKE/CT CONSOLE ISDBT	200001 - 299999	300001 - 399999	400001 - 499999	
16DN-XXRXS-02	ESN	NC 16-INCH DISCOVER SE BIKE/CT CONSOLE RFID ISDBT	200001 - 299999	300001 - 399999	400001 - 499999	
16DN-XWXXS-02	ESN	NC 16-INCH DISCOVER SE BIKE/CT CONSOLE WIFI ISDBT	200001 - 299999	300001 - 399999	400001 - 499999	
16DN-XWRXS-02	ESN	NC 16-INCH DISCOVER SE BIKE/CT CONSOLE WIFI RFID ISDBT	200001 - 299999	300001 - 399999	400001 - 499999	
16DN-XXXXS-03	FSN	NC 16-INCH DISCOVER SE BIKE/CT CONSOLE ISDBT	100001 - 199999	300001 - 399999		
16DN-XXRXS-03	FSN	NC 16-INCH DISCOVER SE BIKE/CT CONSOLE RFID ISDBT	100001 - 199999	300001 - 399999		
16DN-XWXXS-03	FSN	NC 16-INCH DISCOVER SE BIKE/CT CONSOLE WIFI ISDBT	100001 - 199999	300001 - 399999		
16DN-XWRXS-03	FSN	NC 16-INCH DISCOVER SE BIKE/CT CONSOLE WIFI RFID ISDBT	100001 - 199999	300001 - 399999		

* Refer to first three letters of the product's Serial Number for the Alpha code

Common Boards for Consoles (page 1 of 2)

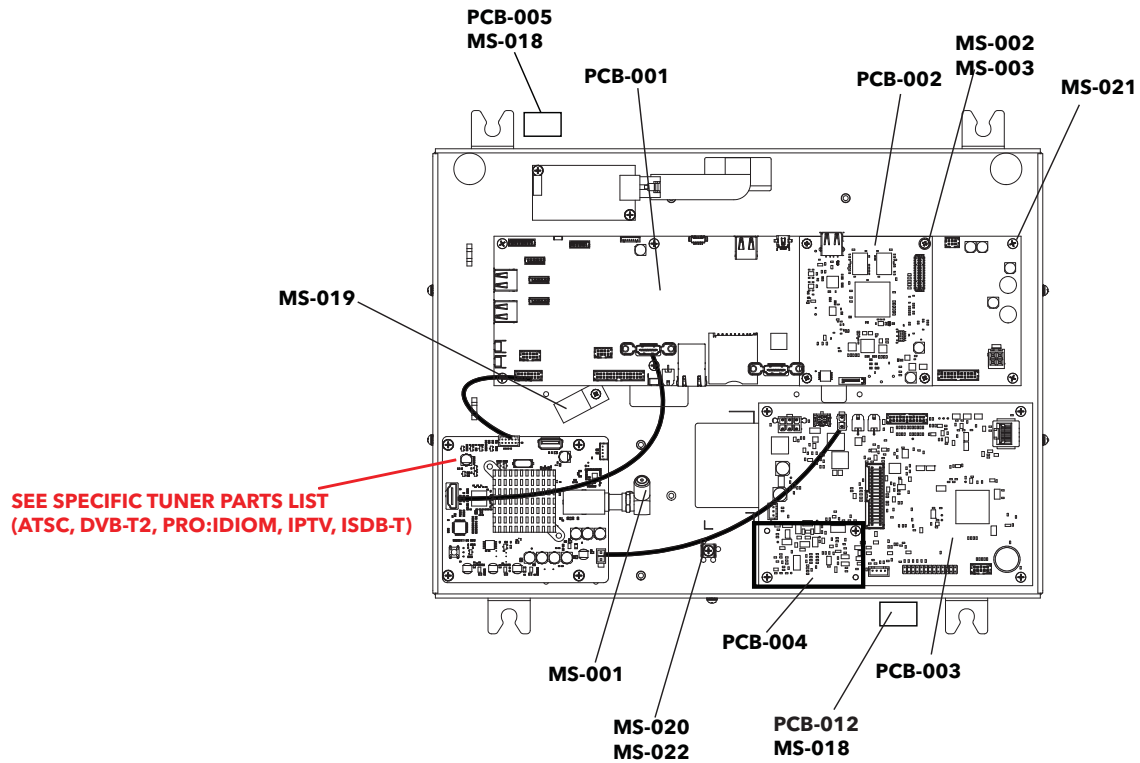


Item	Part Number	Alpha Code	Description	Serial Number Range	Serial Number Range
PCB-001	NOT AVAILABLE	EAN, EDN, EIN, ESN	Carrier Board V6 is not supported. Order complete console assembly.	100001-199999	200001-299999
	B084-92388-0001	EAN, EDN, EIN, ESN	Carrier Board, V7	300001-399999	700001-799999
		EAN, EDN, EIN, ESN, EPN, ENN		400001-499999	800001-899999
		EPN		100001-199999	
FAN, FDN, FIN, FXN, FPN, FSN	100001-199999	300001-399999			
PCB-002	A084-92420-0001	EAN, EDN, EIN, ESN, EPN, ENN	IMX6 COM Board (See Note 2)	400001-499999	800001-899999
		FAN, FDN, FIN, FXN, FPN, FSN		100001-199999	300001-399999
	A084-92420-0001	EAN, EDN, EIN, ESN, EPN	Retrofit to IMX6 COM Board (See Note 1).	100001-199999	200001-299999
		300001-399999	700001-799999		
PCB-003	A084-92386-0000	EAN, EDN, EIN, ESN, EPN, ENN, FAN, FDN, FIN, FSN, FXN, FPN	MIB Board (Programmed)	ALL	
PCB-004	B084-92385-0000	EAN, EDN, EIN, ESN, EPN, ENN	Apple Authentication Board	ALL	
PCB-005	118E-00001-0289	ALL	Bluetooth Dual Mode Module	ALL	
MS-001	0017-00021-2810	ALL	F Type Connector	ALL	
MS-002	0017-00101-2016	ALL	M3 X .5 6G6G X 10 DIN PHL PAN E MS ST ZN	ALL	
MS-003	0017-00009-1335	ALL	Spacer Round M3 Brass 3MM	ALL	
PCB-012	118E-00001-0244	ALL	Heart Rate Rcvr, Polar Board	ALL	

Note 1: To retrofit, see [Procedure to Change the Discover Console COM Board from IMX53 to IMX6-RevX.pdf](#) on [lftechsupport.com](#)

Note 2: See [Procedure to Change the Discover Console COM Board from IMX6 to IMX6 only-Rev X.pdf](#) on [lftechsupport.com](#).

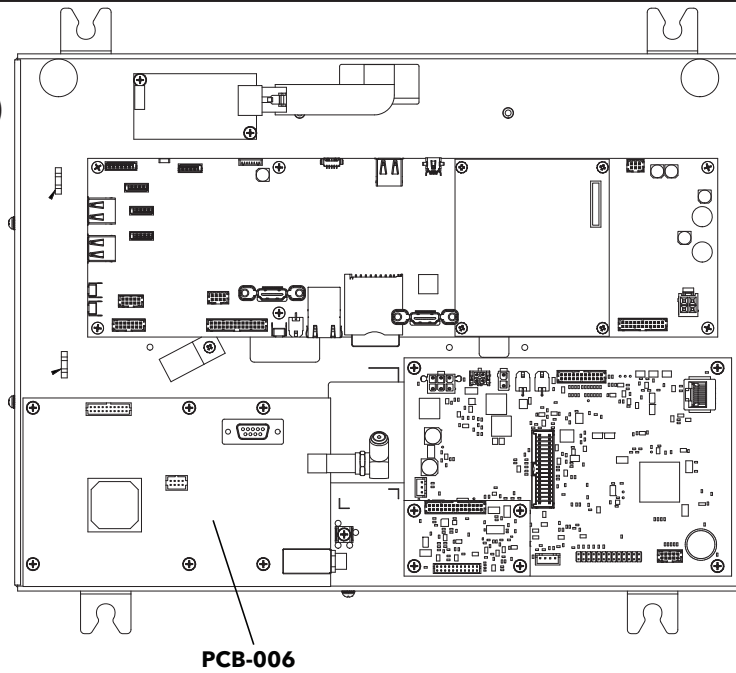
Common Boards for Consoles (page 2 of 2)



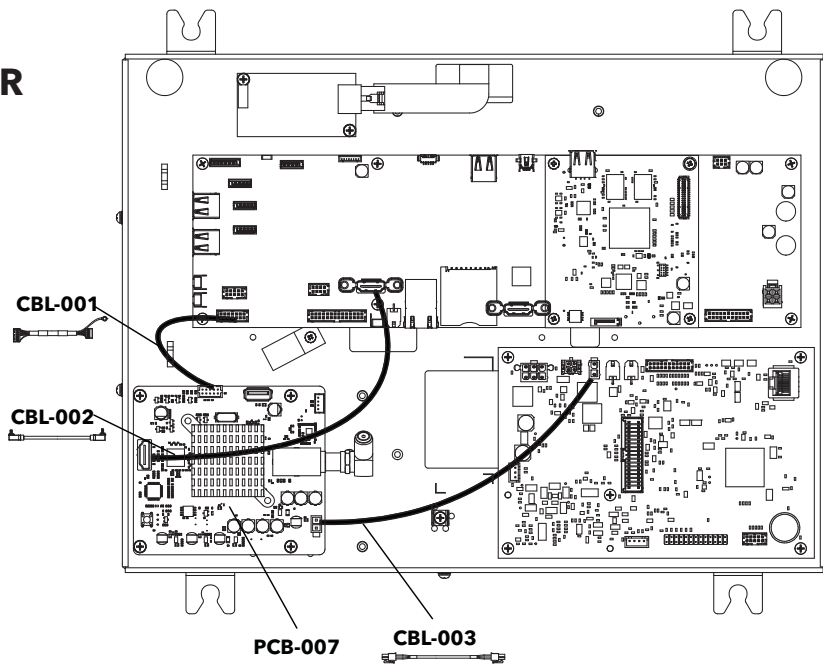
Item	Part Number	Alpha Code	Description	Serial Number Range	Serial Number Range
MS-018	0K39-01044-0001	ALL	Tape: Adhesive; Double-Sided with PCB-005 and PCB-012	ALL	
MS-019	0017-00042-1235	ALL	Ferrite Mounting Bracket	ALL	
MS-020	0017-00021-3368	ALL	Quick Disconnect Terminal, Dual, Male, 0.250" X 0.032" (ALL	
MS-021	0K92-01230-0000	ALL	Spacer: D2 Plastic Electronics	ALL	
MS-022	0017-00101-1971	ALL	M3 X 6 Phillips Pan Head Screw	ALL	

Parts List for ATSC Tuner Board

ATSC DTB (LEGACY)



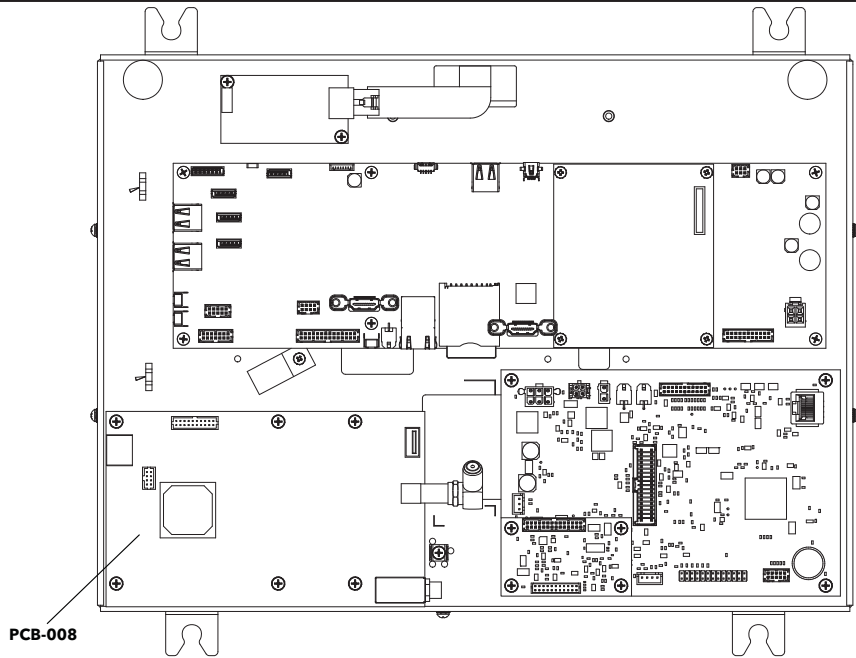
ATSC HDMI TUNER



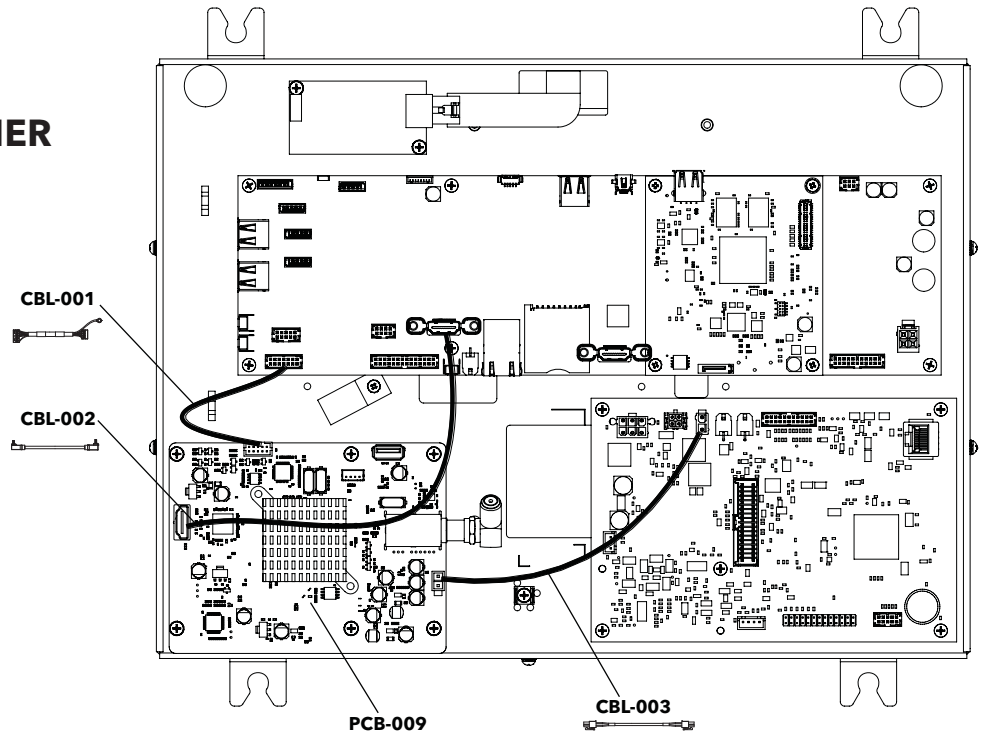
Item	Part Number	Alpha Code	Description	Serial Number Range	Serial Number Range
PCB-006	A084-92364-0002	EAN	Digital ATSC Tuner Board	100001-199999	200001-299999
				300001-399999	700001-799999
				400001-499999	800001-899999
PCB-007	A084-92516-0000	FAN	ATSC Combo (HDMI) Tuner Board	ALL	
CBL-001	See CABLES section on page 15				
CBL-002					
CBL-003					

Parts List for DVB-T2 Tuner Board

DVB-T2 DTB (LEGACY)

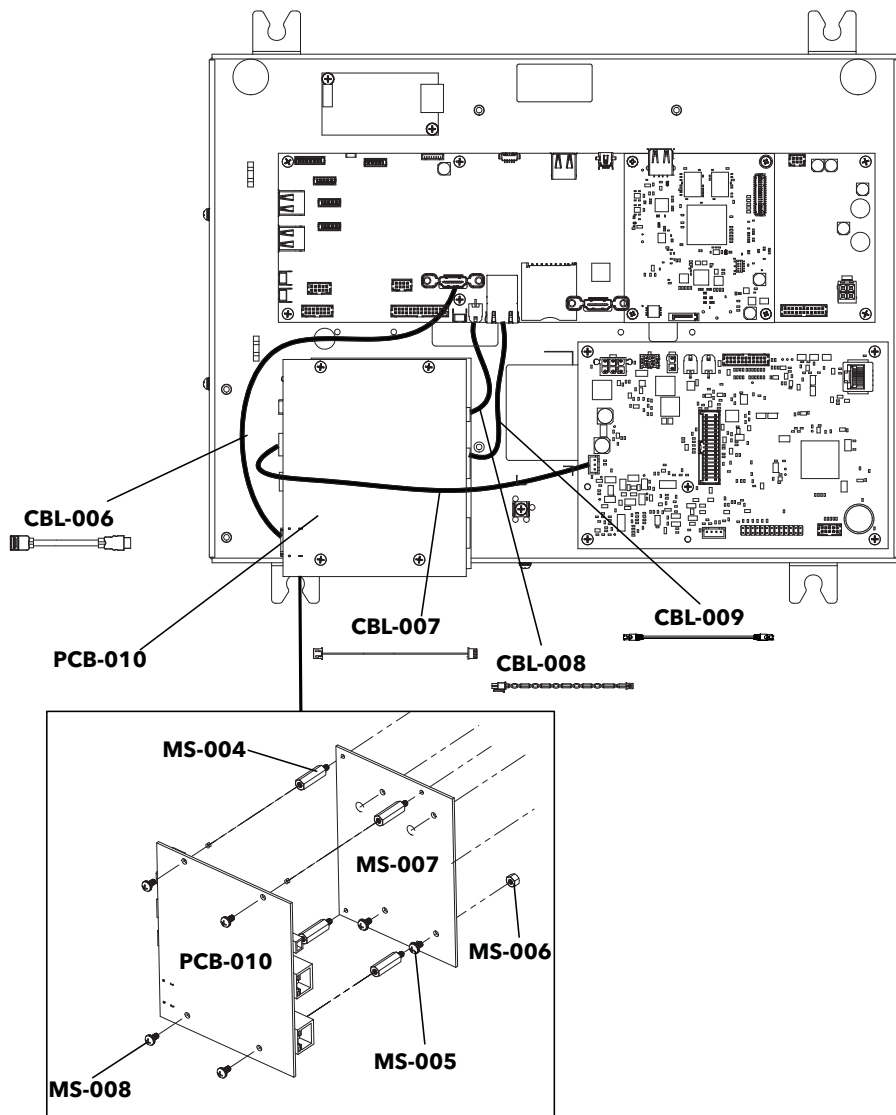


DVB-T2 HDMI TUNER



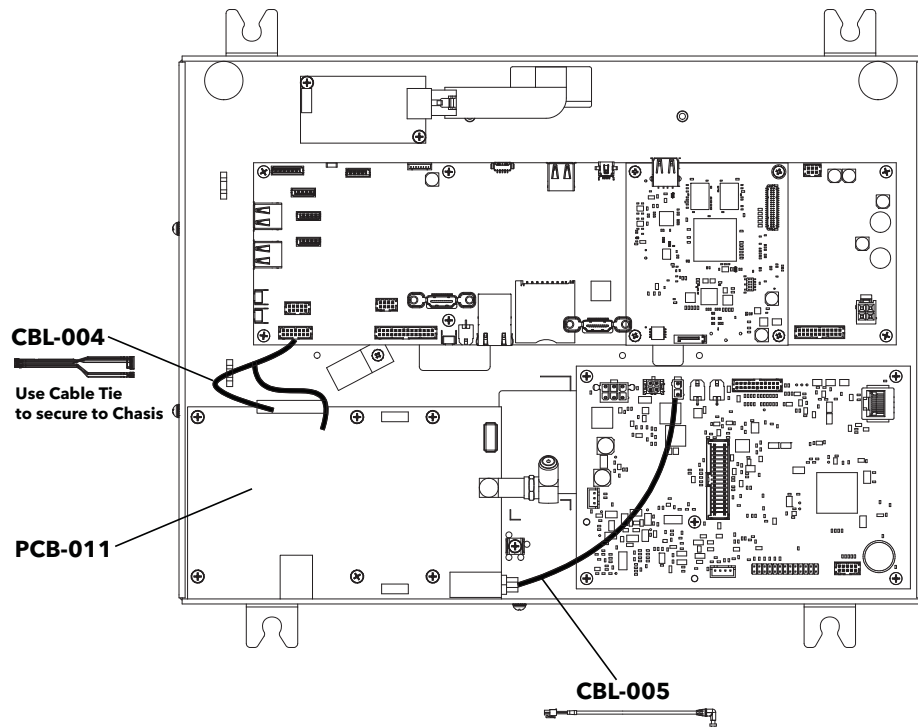
Item	Part Number	Alpha Code	Description	Serial Number Range	Serial Number Range
PCB-008	A084-92396-0001	EDN	DVB-T2 Tuner Board	100001-199999	200001-299999
				300001-399999	700001-799999
				400001-499999	800001-899999
PCB-009	A084-92517-0000	FDN	DVB-T2 HDMI Tuner Board	ALL	
CBL-001	See CABLES section on page 15.				
CBL-002					
CBL-003					

Parts List for STB-IPTV Tuner Board



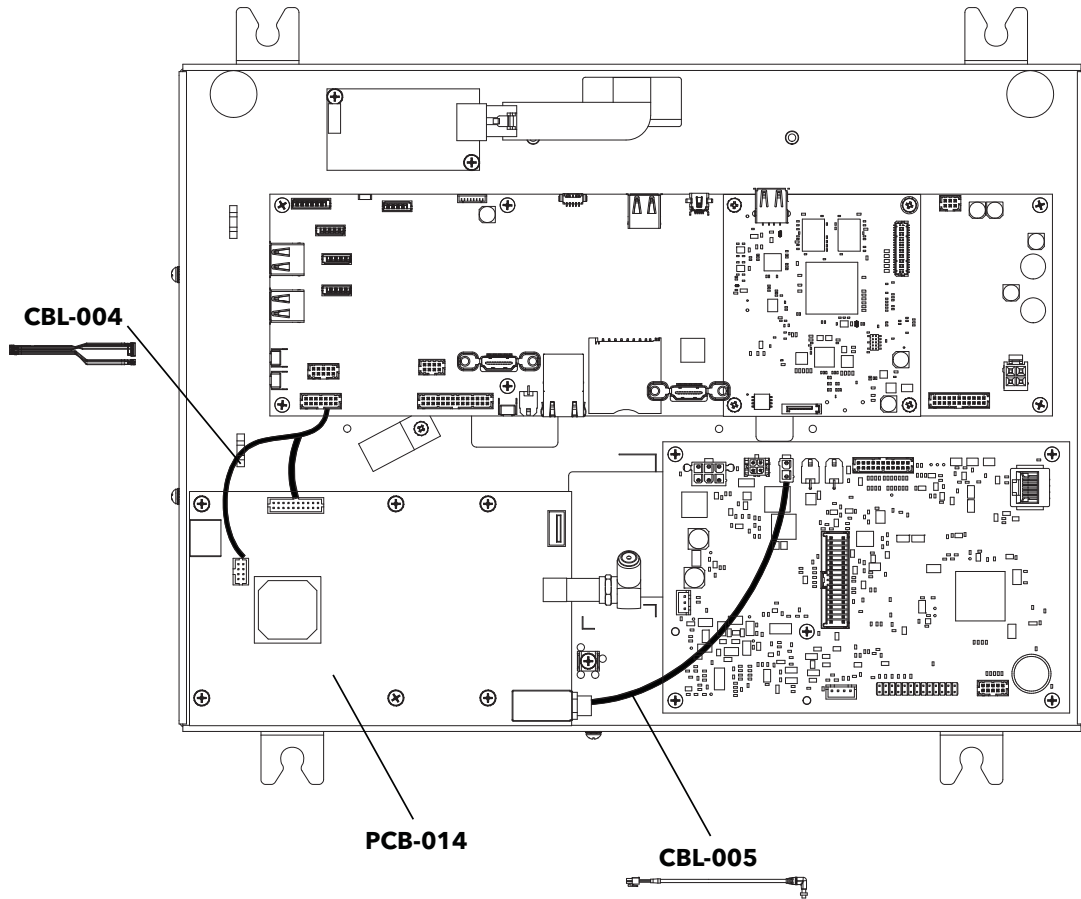
Item	Part Number	Alpha Code	Description	Serial Number Range	Serial Number Range
PCB-010	118E-00001-0300	EIN, FIN	PCB, IPTV Receiver Board	100001-199999	200001-299999
				300001-399999	700001-799999
				400001-499999	
MS-004	0017-00009-1342	ALL	Male-Female Threaded Hex Standoff (4)	ALL	
MS-005	0017-00101-2117	ALL	Phillips screw, Internal Lock Washer (4)	ALL	
MS-006	0017-00009-1343	ALL	Female Threaded Standoff Hex (4)	ALL	
MS-007	0K92-01085-0000	ALL	Chassis Mounting Plate	ALL	
MS-008	0017-00101-1971	ALL	M3 X 6 Phillips Pan Head Screw	ALL	
MS-023	0017-00021-3386	ALL	Round Ferrite, 25-300 MHz (not shown)	ALL	
CBL-006	See CABLES section on page 15.				
CBL-007					
CBL-008					
CBL-009					

Parts List for ISDB-T Tuner Board (Japan Only)



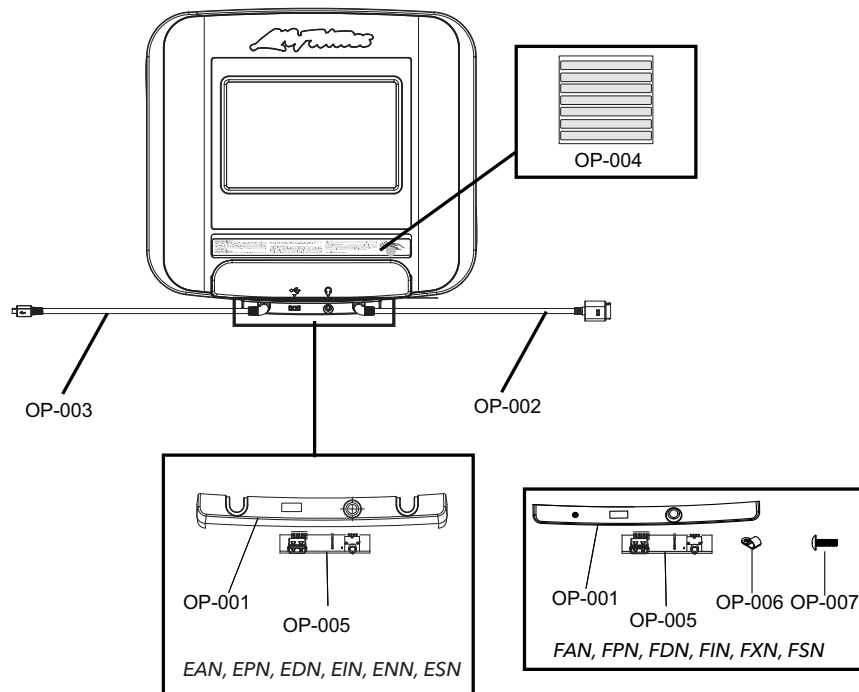
Item	Part Number	Alpha Code	Description	Serial Number Range	Serial Number Range
PCB-011	A084-92374-0002	ESN	ISDB-T Tuner Board (Japan Only)	100001-199999	200001-299999
				300001-399999	700001-799999
		400001-499999			
		FSN		100001-199999	300001-399999
CBL-004	See CABLES section on page 15.				
CBL-005					

Parts List for PRO:IDIOM Tuner Board



Item	Part Number	Alpha Code	Description	Serial Number Range	Serial Number Range
PCB-014	A084-92511-0000	EPN, FPN	ATSC with Pro:Idiom Tuner Board	100001-199999	300001 - 399999
				400001-499999	
CBL-004	See CABLES section on page 15.				
CBL-005					

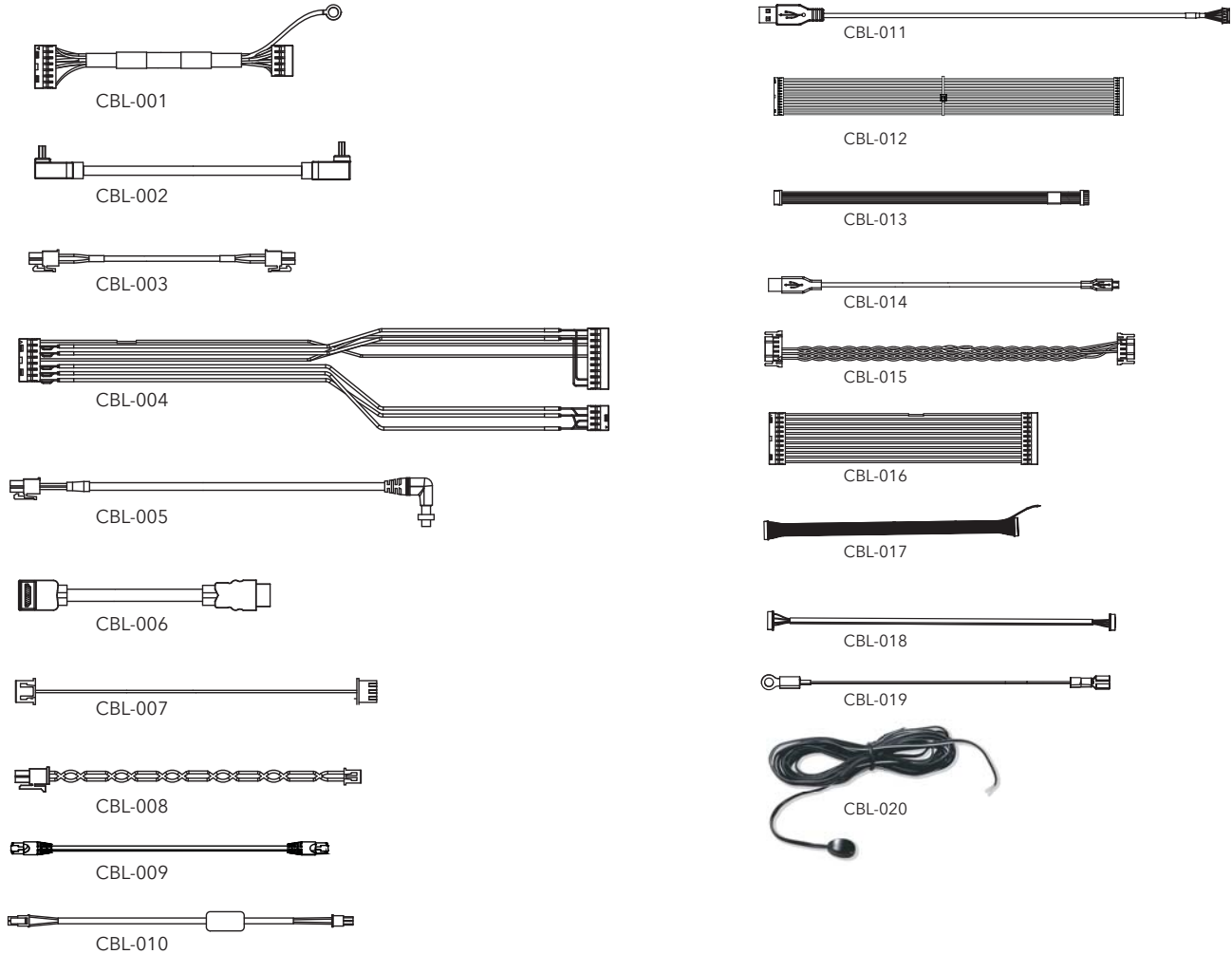
Option Panel



Parts List

Item	Part Number	Alpha Code	Item Description	Serial Number Range	Serial Number Range
OP-001	OK92-01001-0200	EAN, EPN, EDN, EIN, ENN, ESN	PANEL, OPTION SHDW -02XX	100001-199999	700001-799999
	OK92-01001-2400	EAN, EPN, EDN, EIN, ENN, ESN	PANEL OPTION:CHGR	200001-299999	300001-399999
	OK92-01201-2400	FAN, FPN, FDN, FIN, FXN, FSN	PLASTIC, OPTION PANEL	400001-499999	800001-899999
OP-002	AK92-00001-0200	EAN, EPN, EDN, EIN, ENN, ESN	CABLE ASSY; APPLE, SHDW -02XX	100001-199999	
	AK92-00001-0700		APPLE CABLE - V6- BLACK	200001-299999	
	AK92-00077-0200		APPLE CABLE - V7 - SHADOW GRAY	700001-799999	
	AK92-00077-0700		APPLE CABLE - V7 - BLACK	300001-399999	400001-499999
OP-003	AK92-00002-0200	EAN, EPN, EDN, EIN, ENN, ESN	CABLE ASSY; ANDROID, SHDW -02XX	100001-199999	
	AK92-00002-0700		ANDROID CABLE - V6 - BLACK	200001-299999	
	AK92-00078-0200		ANDROID CABLE - V7 - SHADOW GRAY	700001-799999	
	AK92-00078-0700		ANDROID CABLE - V7 - BLACK	300001-399999	400001-499999
OP-004	AK92-00043-0000	EAN, EPN, EDN, EIN, ENN, ESN	WARNING LABEL, TREAD; ALL LANGUAGES BUNDLED	ALL	
	OK92-01233-0000	FAN, FPN, FDN, FIN, FXN, FSN	WARNING LABEL, TREAD; ALL LANGUAGES	ALL	
OP-005	B084-92391-0003	EAN, EPN, EDN, EIN, ENN, ESN	PCB-ASSY: USB / HEADPHONE ASSY, V6	100001-199999	200001-299999
	B084-92391-0004	EAN, EPN, EDN, EIN, ENN, ESN	PCB-ASSY: USB / HEADPHONE ASSY, V7	300001-399999	700001-799999
		FAN, FPN, FDN, FIN, FXN, FSN		400001-499999	800001-899999
OP-006	OK92-01229-0000	FAN, FPN, FDN, FIN, FXN, FSN	D2 CABLE CLAMP CLIP	ALL	
OP-007	0017-00101-2100	FAN, FPN, FDN, FIN, FXN, FSN.	M3 X.5 X 10 PHL PAN SCREW (Clip Screw)	ALL	

Cables (page 1 of 2)

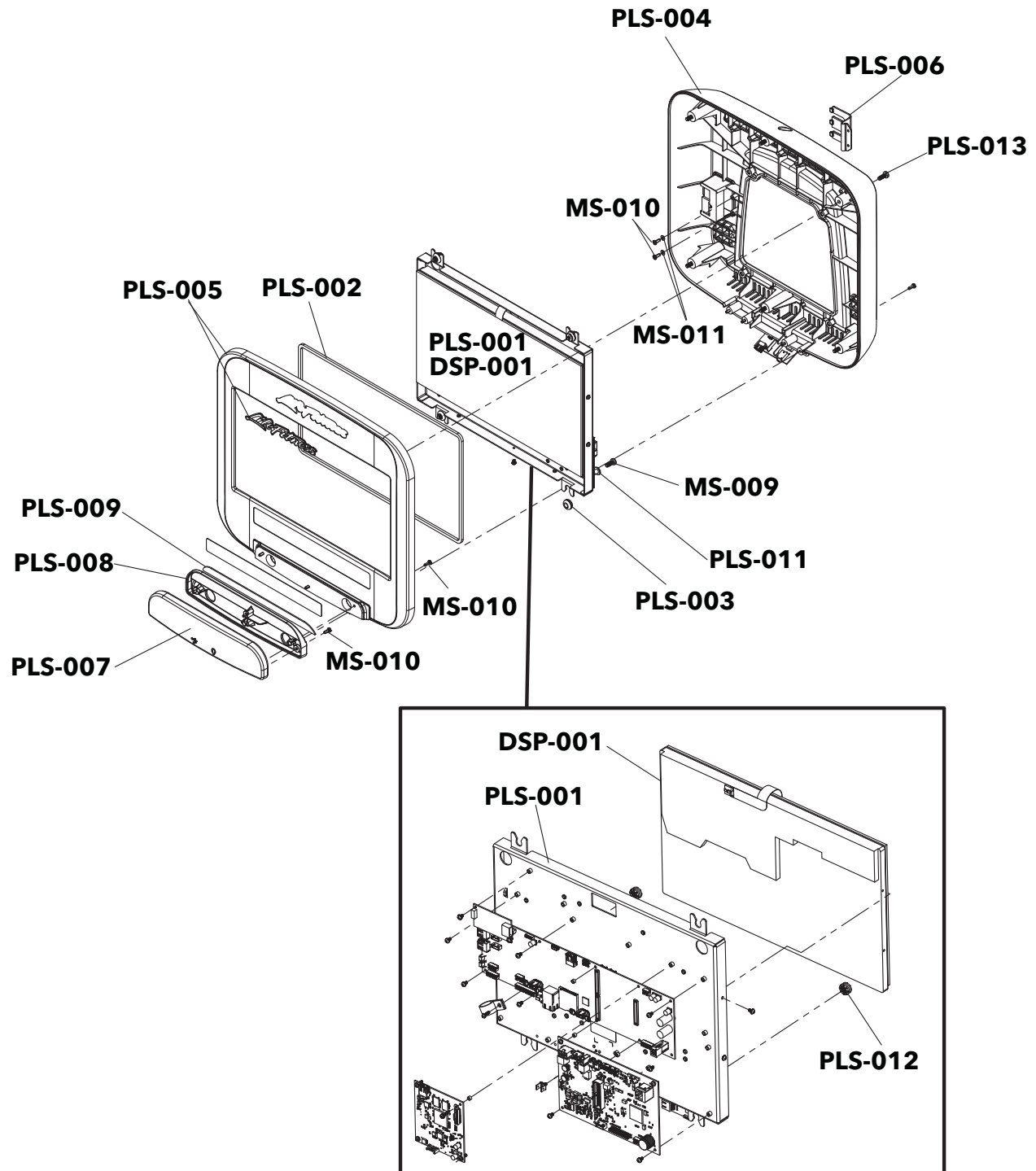


Item	Part Number	Alpha Code	Description	Serial Number Range
CBL-001	AK92-00264-0000	FAN, FDN	Cable: Swift 12C and Audio (for HDMI Tuner Board)	ALL
CBL-002	AK92-00263-0000	FAN, FDN	Cable: Swift Tuner HDMI to HDMI (for HDMI Tuner Board)	ALL
CBL-003	AK92-00265-0000	FAN, FDN	Cable: Swift Tuner DC Power Cable (for HDMI Tuner Board)	ALL
CBL-004	AK92-00013-0000	EAN, EDN, ESN, EPN, FSN, FPN	Cable: Carrier Digital TV to Tuner (for Legacy Tuner Board)	ALL
CBL-005	AK92-00008-0000	EAN, EDN, ESN, EPN, FSN, FPN	Cable: MIB 12V to Tuner 12V (for Legacy Tuner Board)	ALL
CBL-006	AK92-00014-0000	EIN, FIN	Cable: HDMI IPTV Receiver BD to Carrier BD	ALL
CBL-007	AK92-00009-0000	EIN, FIN	Cable: MIB IR to IPTV Receiver IR	ALL
CBL-008	AK92-00018-0000	EIN, FIN	Cable: 5V Carrier to IPTV Receiver BD	ALL
CBL-009	AK70-00092-0003	EIN, FIN	Cable: CAT5e IPTV Receiver to Carrier	ALL
CBL-010	AK92-00006-0000	ALL	Cable: Carrier 24V to MIB 24V	ALL
CBL-011	AK92-00082-0000	ALL	Cable: Touch Controller Cable (to IMX6)	ALL
CBL-012	AK92-00007-0000	EAN, EDN, EPN, EIN, ESN, ENN	Cable: Carrier Apple con to Apple bd	ALL

Cables (page 2 of 2)

Item	Part Number	Alpha Code	Description	Serial Number Range
CBL-013	AK92-00020-0000	ALL	Cable: Carrier USB to Bluetooth	ALL
CBL-014	AK92-00072-0000	ALL	Cable: USB Type A to Micro B	ALL
CBL-015	AK92-00015-0001	ALL	Cable: Carrier Headphone to Option Panel	ALL
CBL-016	AK92-00027-0000	ALL	Cable: Carrier to MIB	ALL
CBL-017	AK92-00005-0000	ALL	Cable: COM LVDS to LCD LVDS	ALL
CBL-018	AK92-00003-0000	ALL	Cable: Carrier Backlight to LCD Backlight	ALL
CBL-019	AK65-00103-0000	ALL	Cable: Ground ESD	ALL
CBL-020	1003446-0001	EIN, FIN	IR Emitter Cable, Spare for IPTV TX Kit Note: This cable is attached to a STB (not in console)	ALL

Plastics and Display Components (page 1 of 2)



See Parts List on following page.

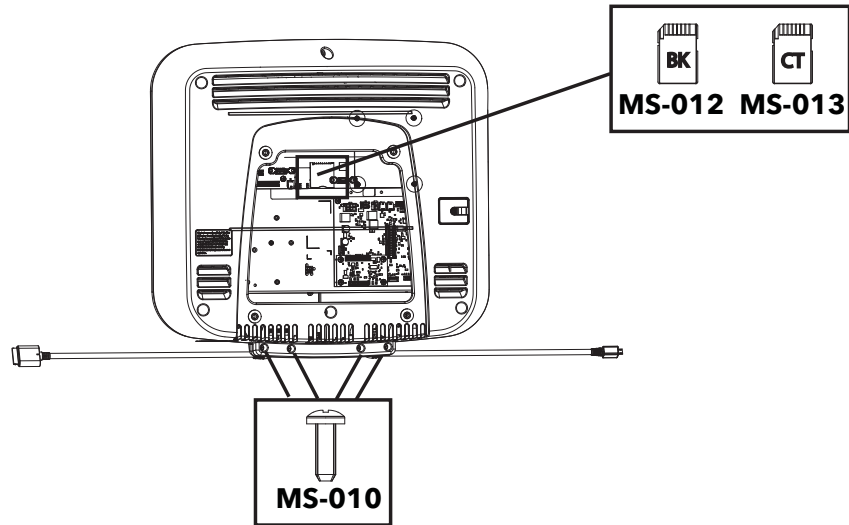
Plastics and Display Components (page 2 of 2)

Item	Part Number	Alpha Code	Description	Serial Number Range	Serial Number Range
PLS-001	0K92-01217-0000	ALL	Panel, Chassis, Non-Tread	ALL	
PLS-002	0K92-01015-0000	ALL	Gasket, 15.6"	ALL	
PLS-003	0017-00042-1160	ALL	Grommet: Vibration Isolation B (4)	ALL	
PLS-004	0K92-01011-2400	ALL	Case, Non Tread Console CHGR	ALL	
PLS-005	GK92-00002-0007	ALL	Bezel + Decal kit, Console 15.6", CHGR	ALL	
PLS-006	0K99-01001-2400	ALL	CSAFE Access Door	ALL	
PLS-007	See Note 1	ALL	Plastic Ledge Front	ALL	
PLS-008	See Note 1	ALL	Plastic Ledge Rear	ALL	
PLS-009	See Note 1	ALL	Rubber Insert Non Tread	ALL	
PLS-011	0K58-01381-0000	ALL	Shoulder Bushing	ALL	
PLS-012	0017-00042-1231	ALL	Grommet: Vibration Isolating C	ALL	
MS-009	0017-00101-1972	ALL	M5 X .8 X 14 PHL PAN MS ST BZ (10)	ALL	
MS-010	0017-00101-1650	ALL	VMI 6-19 X 6 PHL PAN PLT ST BZ B (8)		
MS-011	0017-00104-0456	ALL	WASHER 6 156-.310-030 FL-D ST ZN B (2)	ALL	
DSP-001	GK92-00042-0000 (See Note 2)	ALL	LCD Panel+Touch Screen +Touch Screen Controller, 15.6" Non Tread (See Note 2)	ALL	

Note 1: For reading rack parts, please order the appropriate "RFID READING RACK" Kit listed in the KITS section. These parts cannot be ordered separately.

Note 2: The LCD Panel and Touch Screen are assembled in a clean environment, and cannot be changed in the field. The Touch Controller Board is mated to the Touch Screen and must remain paired up in a console for full functionality. Do not separate the Touch Screen and its Touch controller board. These three parts can only be purchased together.

Miscellaneous



Parts List

Item	Alpha Code	Part Number	Item Description	Serial Number Range	Serial Number Range
MS-010	ALL	0017-00101-1650	VMI 6-19 X 6 PHL PAN PLT ST BZ B (4)	ALL	
MS-012*	See Serial Number Ranges	AK94-00010-0000	COURSES SD CARD: BIKE (see Notes 1 & 2)	EAN 100001-199999 EDN 100001-199999 EIN 100001-199999 ESN 100001-199999	EAN 200001-200822 EDN 200001-200507 EIN 200001-299999 ESN 200001-299999
MS-013*		AK94-00011-0000	COURSES SD CARD: CROSS-TRAINER (see Notes 1 & 2)		
MS-014	ALL	0017-00101-2108	M5 X 0.80 X 14MM SEMS PHL PHMS ST BZ (Console Mounting Screw - comes in the base hardware kit) (not shown)	ALL	
MS-015	ALL	121E-00001-0025	Clamp Filter: Ferrite Core with Case used with CBL 006 or CBL-015 (not shown)	ALL	
MS-016	ALL	0017-00042-0622	Cable Tie: L=3-7/8" S/C#09-B (not shown)	ALL	

*** Note 1:** The SD cards for Lifescape Courses were installed in units upon first production. The product was then improved to not require the SD card in the console. The console serial numbers indicated were manufactured with SD cards installed, so they will either need the SD card for servicing / repair or the courses can be burned into the console using the procedure in Note 2.

Note 2: Courses can be installed directly into the console if SD cards are not the desired option. See [Procedure to Install Original Courses from a USB Stick into a Discover Tread or Non-Tread Console.pdf](#) on lftechsupport.com under Discover SE Service Bulletins.

Kits

Item	Part Number	Alpha Code	Description	Serial Number Range	Serial Number Range
KIT-001	GK92-00002-0014	ALL	Kit: RFID reading rack, Non-Tread, Charcoal Gray	ALL	
KIT-002	GK92-00002-0013	EAN, EPN, EDN, EIN, ENN, ESN	Kit: RFID reading rack, Non-Tread, Shadow Gray	ALL	
KIT-003	GK92-00002-0015	EAN, EPN, EDN, EIN, ENN, ESN	Option Panel Kit, Charcoal Gray, remove cables	ALL	
KIT-004	GK92-00002-0016	EAN, EPN, EDN, EIN, ENN, ESN	Option Panel Kit, Shadow Gray, remove cables	ALL	
KIT-005	GK92-00002-0002	ALL	Wireless Connectivity Retrofit Kit	ALL	
KIT-006	GK92-00002-0003	ALL	RFID Retrofit Kit	ALL	
KIT-007	IPTV-TXKIT-02	EIN, FIN	Discover SE IPTV: Transmitter Kit	ALL	